

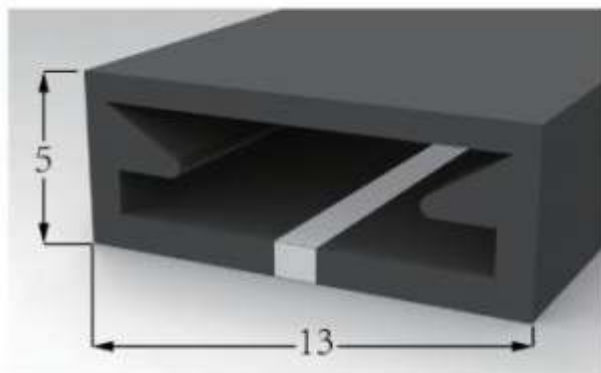


Application scenarios:





S0513 - Top View 4 Sides Black



PCB Width (mm) 10

Weight (g/m) 10

Section Size (mm) 5*13

Beam Angle 120°



Lighting Direction: Top Lighting

Cutting Mark: Yes



End Cap with Hole

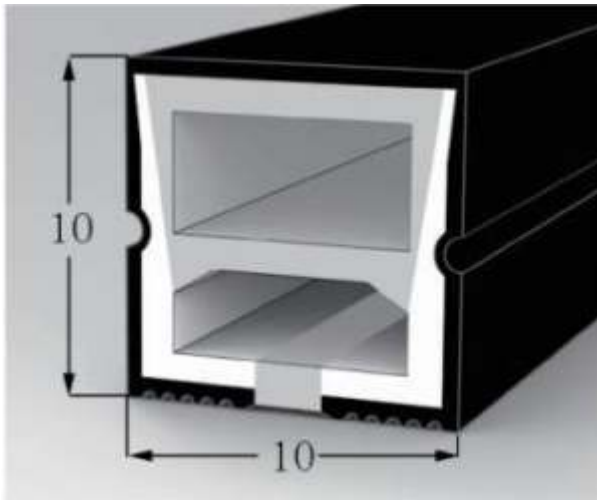
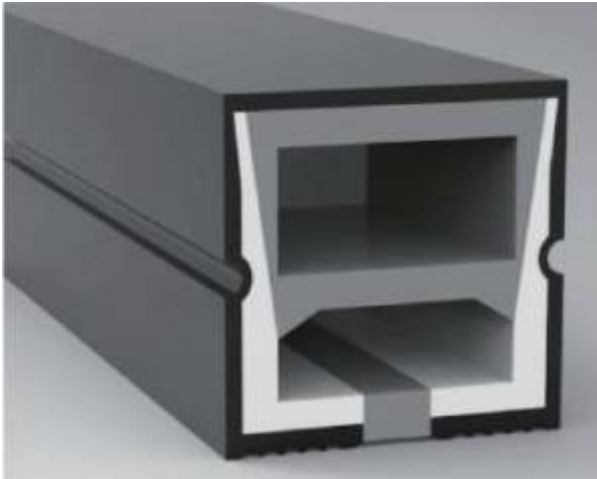


End Cap without Hole

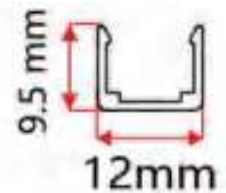


Plastic Clips

S1010 - Top View 4 Sides Black



Aluminium profile size(mm) :



PCB Width (mm)

6

Weight (g/m)

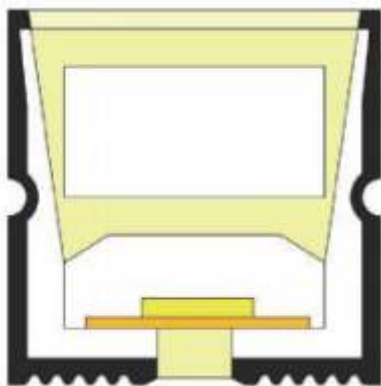
74

Section Size (mm)

10*10

Beam Angle

120°



Lighting Direction: Side Lighting

Cutting Mark: Yes



End Cap with Hole



End Cap without Hole



Aluminium Clip

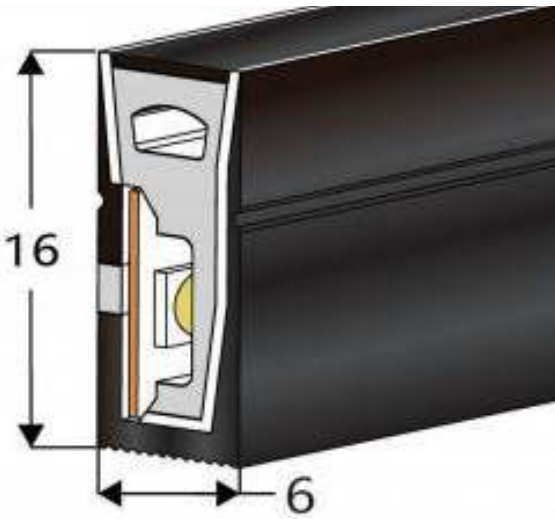


Aluminium Profile

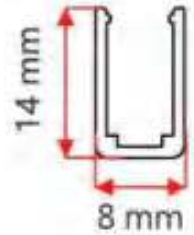


Flexible SS Profile

S0616 - Side View 4 Sides Black



Aluminium profile size(mm) :



PCB Width (mm) 8

Weight (g/m) 89

Section Size (mm) 6*16

Beam Angle 120°

Lighting Direction: Side Lighting

Cutting Mark: Yes



End Cap with Hole



End Cap without Hole



Aluminium Clip

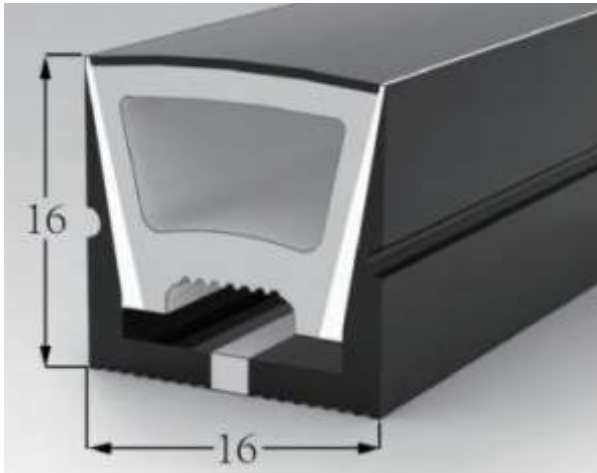
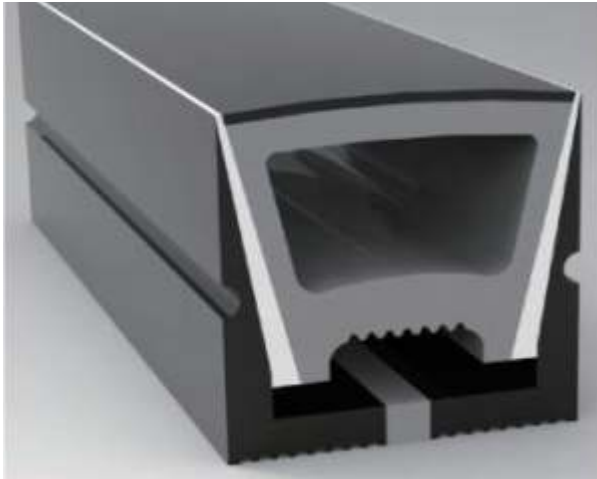


Aluminium Profile

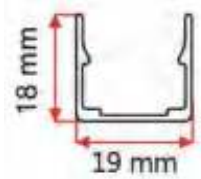


Flexible SS Profile

S1616 - Top View 4 Sides Black



Aluminium profile size (mm) :



PCB Width (mm) 10

Weight (g/m) 193

Section Size (mm) 16*16

Beam Angle 120°



Lighting Direction: Top Lighting

Cutting Mark: Yes



End Cap with Hole



End Cap without Hole



Aluminium Clip

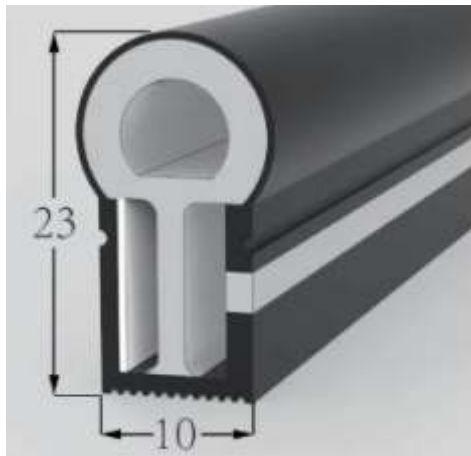


Aluminium Profile

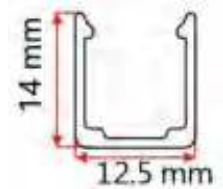


Flexible SS Profile

S1023 - Side View Black



Aluminium profile size(mm) :



PCB Width (mm) 10

Weight (g/m) 195

Section Size (mm) 10*23

Beam Angle 180°



Lighting Direction: Side Lighting

Cutting Mark: Yes



End Cap with Hole



End Cap without Hole



Aluminium Clip

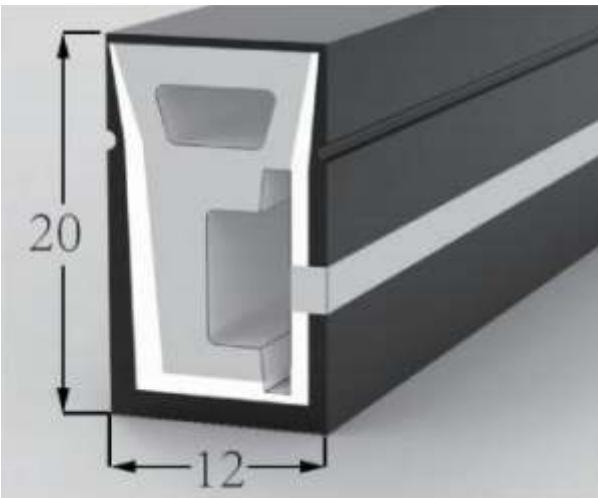


Aluminium Profile

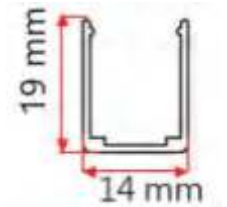


Flexible SS Profile

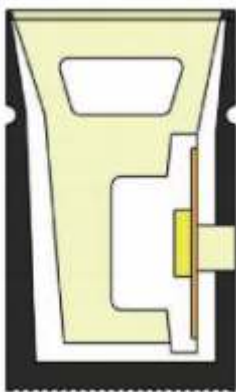
S1220 - Side View 4 Sides Black



Aluminium profile size(mm) :



PCB Width (mm)	10
Weight (g/m)	220
Section Size (mm)	12*20
Beam Angle	120°



Lighting Direction: Side Lighting

Cutting Mark: Yes



End Cap with Hole



End Cap without Hole



Aluminium Clip

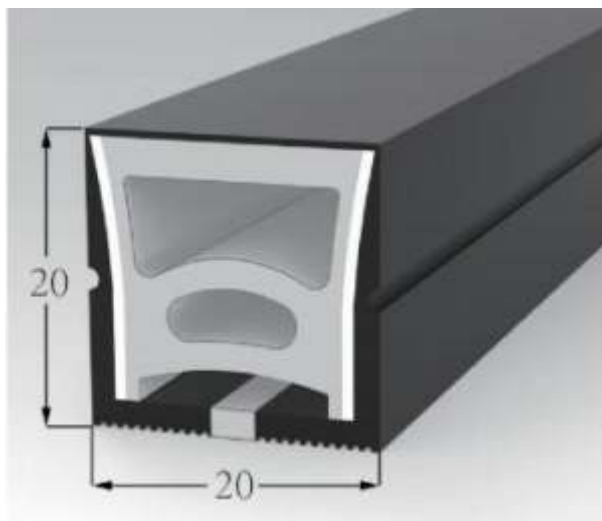
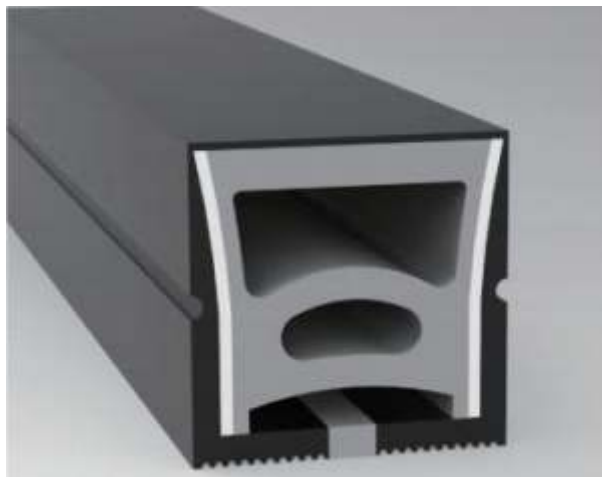


Aluminium Profile

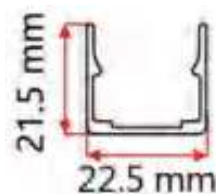


Flexible SS Profile

S2020 - Top View 4 Sides Black A



Aluminium profile size(mm) :



PCB Width (mm) 12

Weight (g/m) 256

Section Size (mm) 20*20

Beam Angle 120°



Lighting Direction: Top Lighting

Cutting Mark: Yes



End Cap with Hole



End Cap without Hole



Aluminium Clip

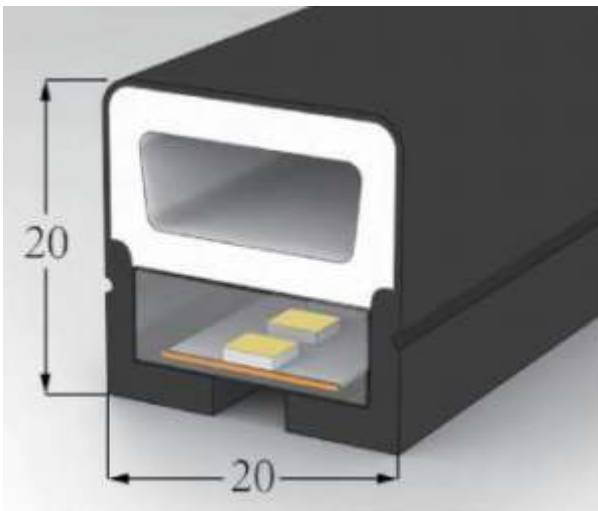
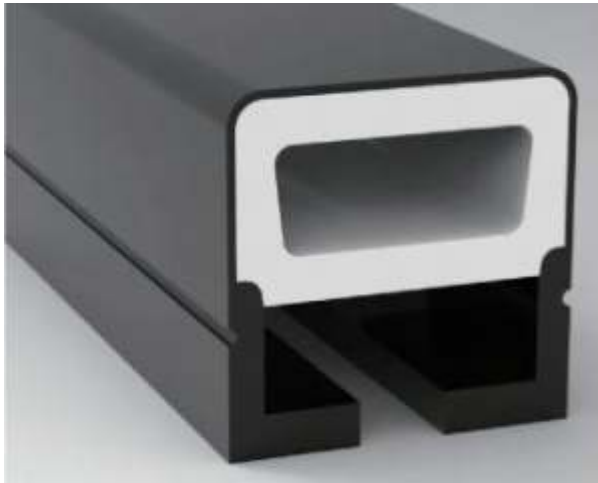


Aluminium Profile

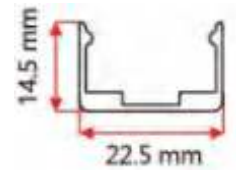


Flexible SS Profile

S2020 - Top View 4 Sides Black B



Aluminium profile size(mm) :



PCB Width (mm) 12

Weight (g/m) 263

Section Size (mm) 20*20

Beam Angle 270°



Lighting Direction: 3 Side Lighting

Cutting Mark: Yes



Aluminium Clip

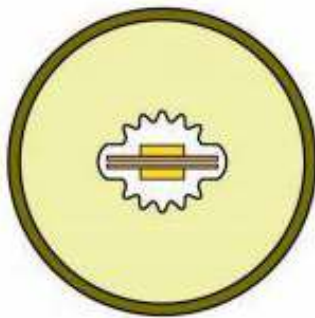
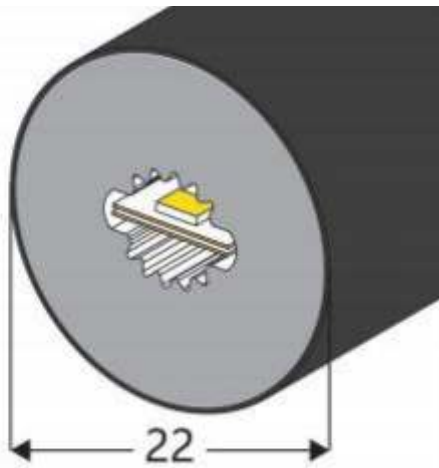


Aluminium Profile



Flexible SS Profile

SD22 - Round View 360° Black



PCB Width (mm) Double Side 8

Weight (g/m) 420

Section Size (mm) Ø22

Beam Angle 360°

Lighting Direction: 360°



End Cap with Hole

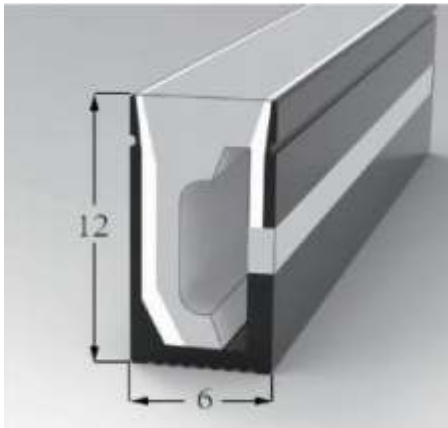
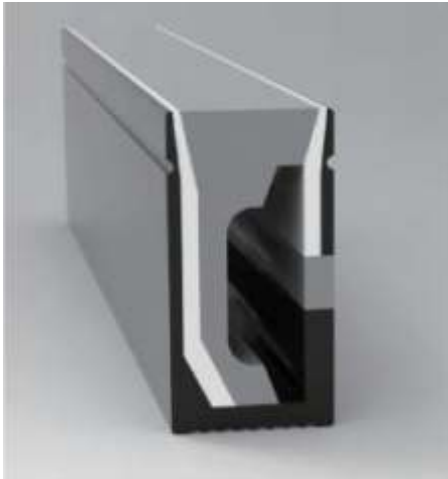


End Cap without Hole

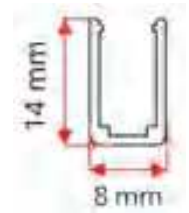


Plastic Clip

S0612 - Side View 3 Sides Black



Aluminium profile size(mm) :



PCB Width (mm) 8

Weight (g/m) 69

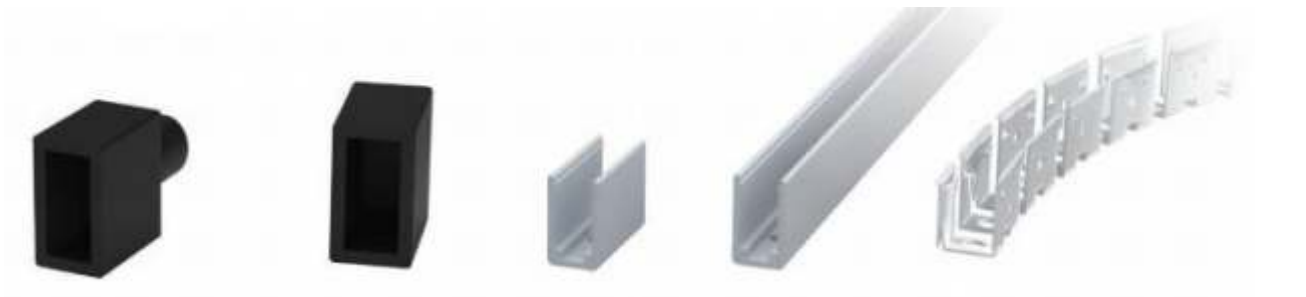
Section Size (mm) 6*12

Beam Angle 120°



Lighting Direction: Side Lighting

Cutting Mark: Yes



End Cap with Hole

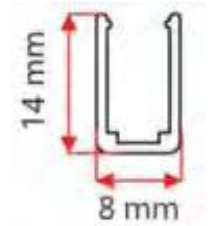
End Cap without Hole

Aluminium Clip

Aluminium Profile

Flexible SS Profile

S0616 - Side View 3 Sides Black



Aluminium profile size(mm) :

PCB Width (mm) 8

Weight (g/m) 89

Section Size (mm) 6*16

Beam Angle 120°



Lighting Direction: Side Lighting

Cutting Mark: Yes



End Cap with Hole



End Cap without Hole



Aluminium Clip

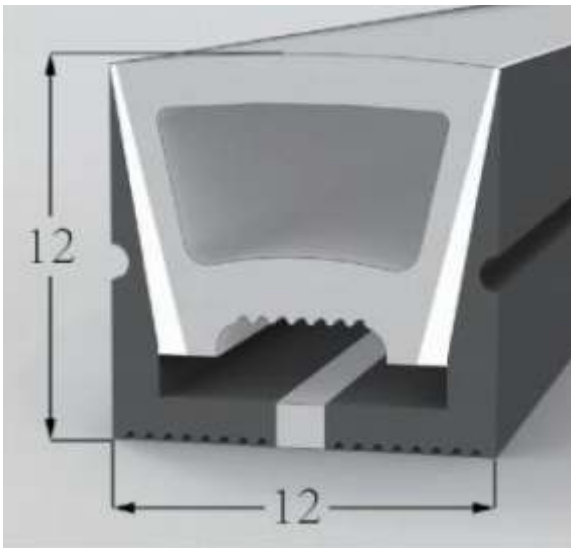
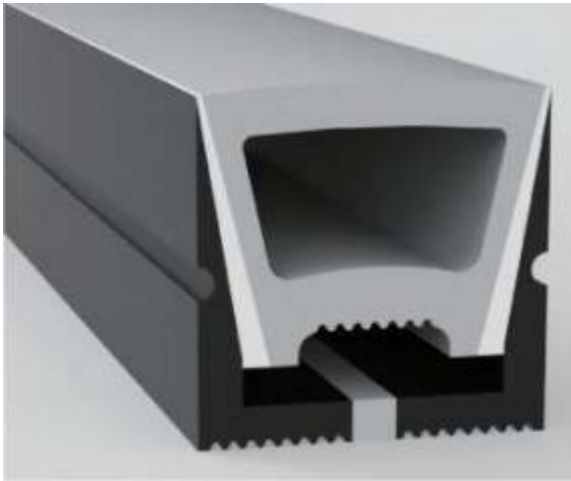


Aluminium Profile

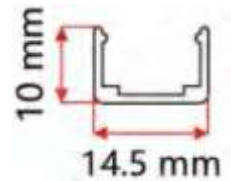


Flexible SS Profile

S1212 - Top View 3 Sides Black



Aluminium profile size(mm) :



PCB Width (mm)

8

Weight (g/m)

126

Section Size (mm)

12*12

Beam Angle

120°

Lighting Direction: Top Lighting

Cutting Mark: Yes



End Cap with Hole

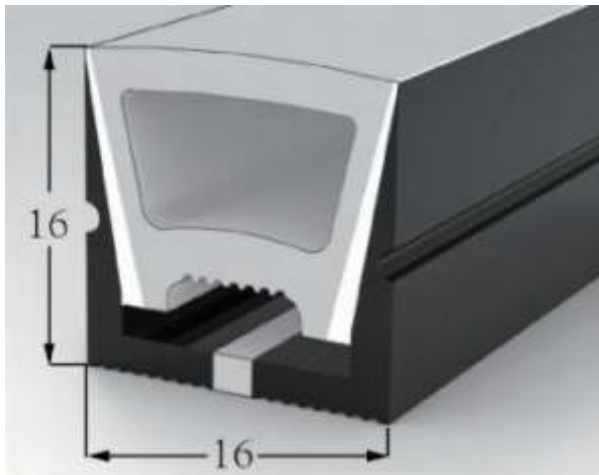
End Cap without Hole

Aluminium Clip

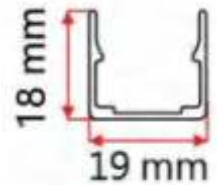
Aluminium Profile

Flexible SS Profile

S1616 - Top View 3 Sides Black



Aluminium profile size(mm) :



PCB Width (mm) 10

Weight (g/m) 197

Section Size (mm) 16*16

Beam Angle 120°



Lighting Direction: Top Lighting

Cutting Mark: Yes



End Cap with Hole



End Cap without Hole



Aluminium Clip



Aluminium Profile



Flexible SS Profile