

RHEA TOP

- » Cross section of 16x15mm
- » Full PU encapsulation, Waterproof IP68
- » Lighting Efficiency: up to 110lm/W
- » Perfect softness, gentle emitting, No dazzling
- » DMX RGB/RGBW
- » SPI RGB/RGBW
- » ETL, CE, RoHS, EMC, FCC, IP68 Certificate
- » Working Environment: -25°C-65°C
- » Warranty: 3-5 years



Waterproof
IP68



UV
Protected



Saltwater
Resistant



Solvent
Resistant



IK08
Protection

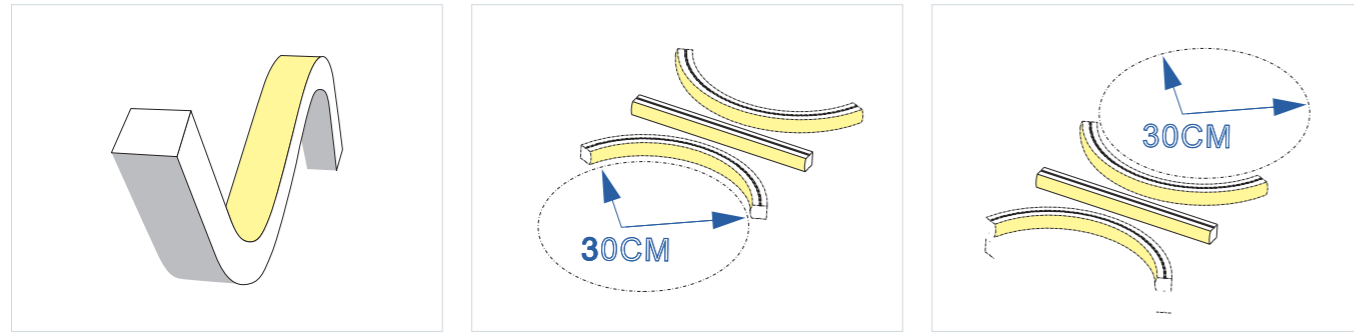
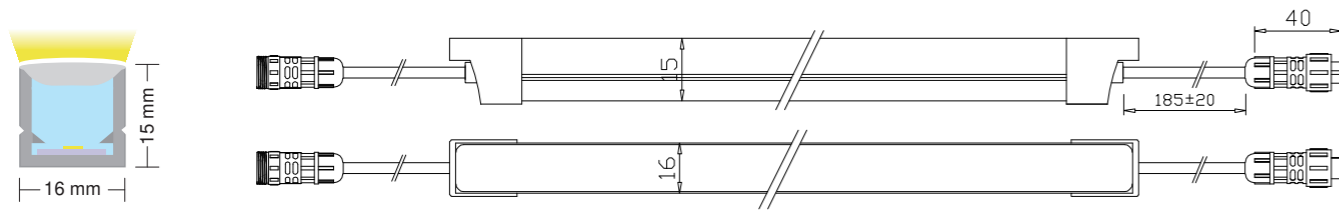


3 steps
LED

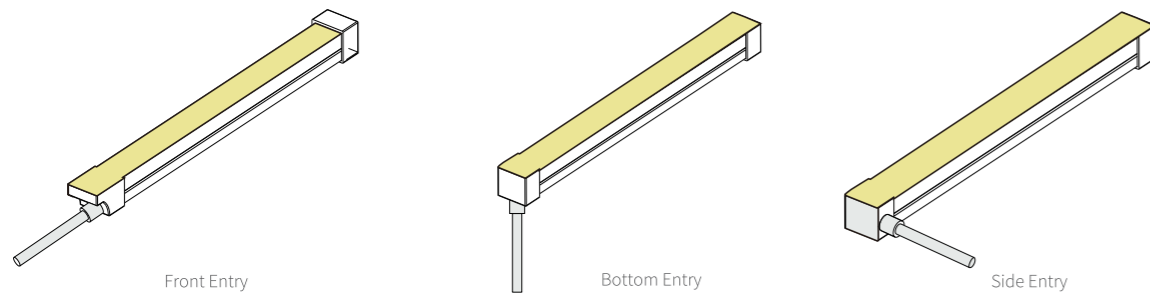


LM-80
Compliant

Dimension



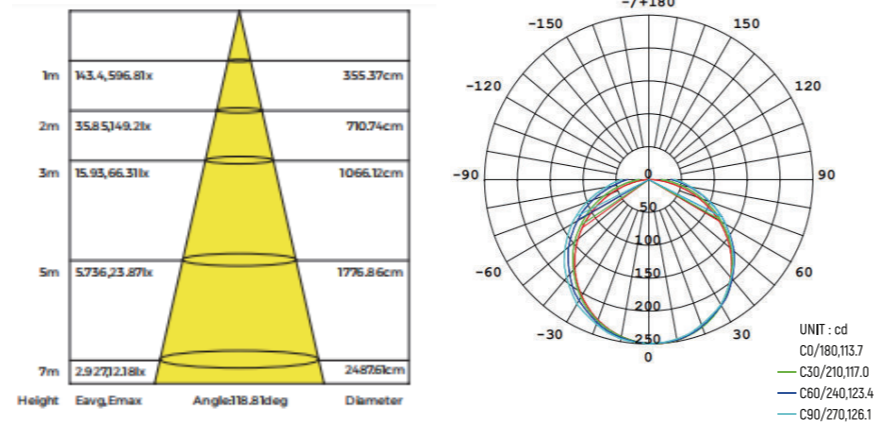
Various Cable Entry



Seamless Connection

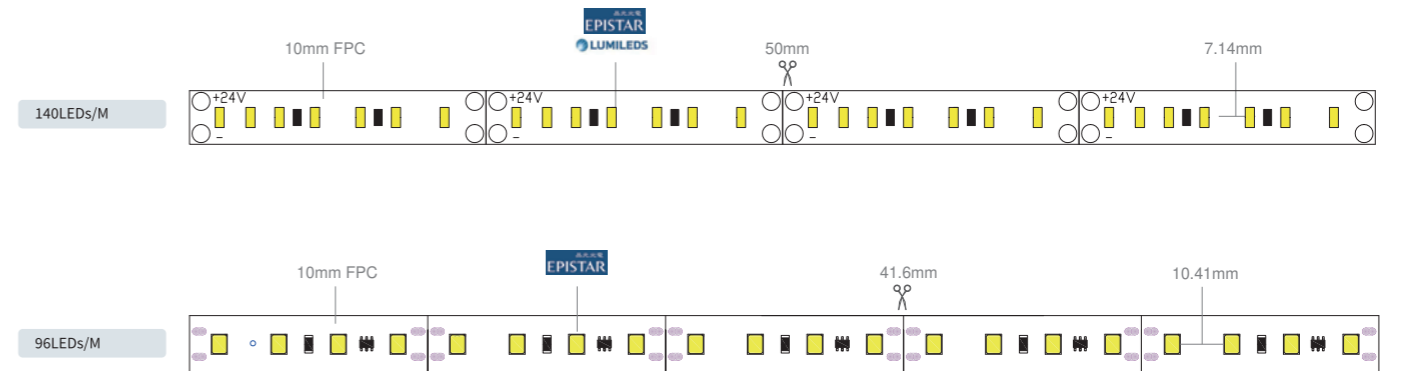
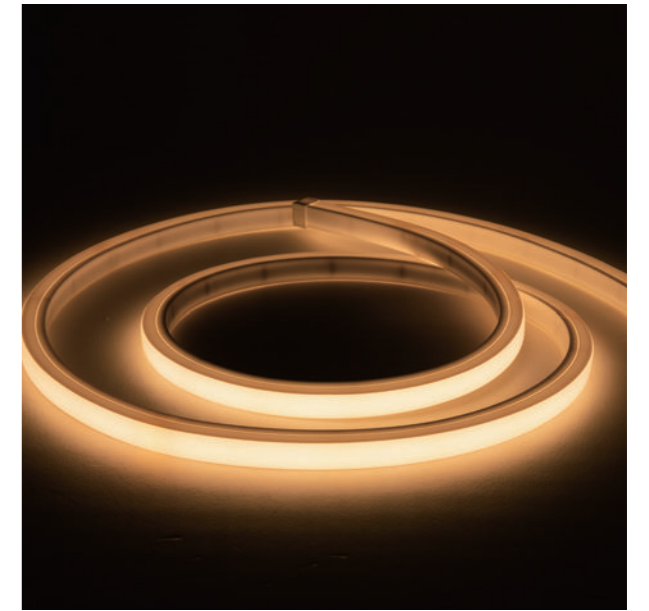


Light Distribution



RHEA TOP SINGLE COLOR

- ▶ High efficiency, up to 110lm/W
- ▶ Color consistency, One bin, 3 SDCM
- ▶ Input voltage 12VDC/24VDC optional
- ▶ CV for Constant Voltage, CC for Constant Current



Electrical Data

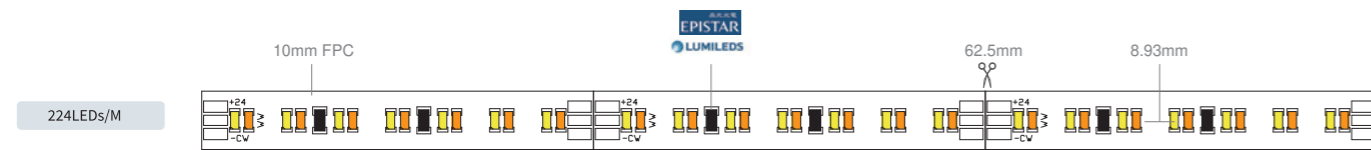
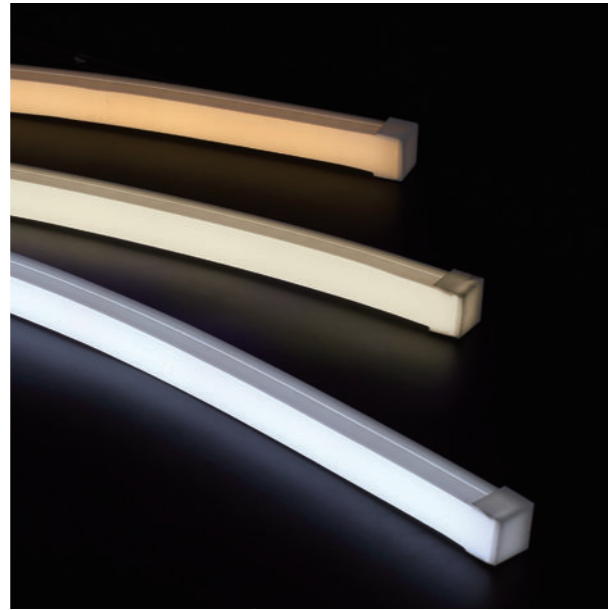
Electrical solution	LED Type	LEDs/Mtr	Voltage	Max Current	Max run (Single end)	Cutting unit	IP Rating
Constant Voltage	SMD3014	140	DC 24V	0.416A/M	10m	50mm/ 7LEDs	IP68
Constant Voltage	SMD3014	144	DC 12V	0.833A/M	10m	25mm/ 6LEDs	IP68
Constant Current	SMD3014	120	DC 24V	0.416A/M	10m	50mm/ 6LEDs	IP68
Constant Current	SMD2835	96	DC 24V	0.291A/M	25m	41.6mm/ 4LEDs	IP68

Spectrum Data

Item No.	LED Code No.	CC/CV	Wattage	Lumen Efficiency	Lumen	Beam Angle	Color	CRI
RLLTNFJ27C		CV	10W/M	95lm/W	950lm/M	120°	2700K	80+/90+
RLLTNFJ30C		CV	10W/M	105lm/W	1050lm/M	120°	3000K	80+/90+
RLLTNFJ40C	2J-3014 140Leds/m (DC24V)	CV	10W/M	107lm/W	1070lm/M	120°	4000K	80+/90+
RLLTNFJ60C	2K-3014 144Leds/m (DC12V)	CV	10W/M	109lm/W	1090lm/M	120°	6000K	80+/90+
RLLTNFJ04C		CV	10W/M	-	260lm/M	120°	R	-
RLLTNFJ06C	B for DC12V	CV	10W/M	-	360lm/M	120°	G	-
RLLTNFJ05C	C for DC24V	CV	10W/M	-	193lm/M	120°	B	-
RLLTNFJ07C		CV	10W/M	-	600lm/M	120°	Y	-
RLLTNFJ09C		CV	10W/M	-	280lm/M	120°	W	-
RLLTNFJ27C		CC	10W/M	60lm/W	600lm/M	120°	2700K	80+
RLLTNFJ30C		CC	10W/M	62lm/W	620lm/M	120°	3000K	80+
RLLTNFJ40C	2i-3014 120Leds/m (DC24V)	CC	10W/M	65lm/W	650lm/M	120°	4000K	80+
RLLTNFJ60C		CC	10W/M	68lm/W	680lm/M	120°	6000K	80+
NEW RLLTNFH27C		CC	7W/M	45.7lm/W	320lm/M	120°	4000K	80+
NEW RLLTNFH30C		CC	7W/M	50.1lm/W	350lm/M	120°	3000K	80+
NEW RLLTNFH40C	1H-2835 96Leds/m	CC	7W/M	52.8lm/W	370lm/M	120°	6000K	80+
NEW RLLTNFH60C		CC	7W/M	57.1lm/W	400lm/M	120°	3000K	80+

RHEA TOP
TUNNABLE WHITE

- ▶ Tunnable white from 1800K to 6500K
- ▶ Color consistency, One bin, 3 SDCM
- ▶ White+Red/Green/Blue/Yellow(Amber)/Orange optional
- ▶ Constant voltage design (CV)



Electrical Data

Electrical solution	LED Type	LEDs/Mtr	Voltage	Max Current	Max run (Single end)	Cutting unit	IP Rating
Constant Voltage	SMD3014	224	24V DC	0.333A/M	10m	62.5mm/ 14LEDs	IP68

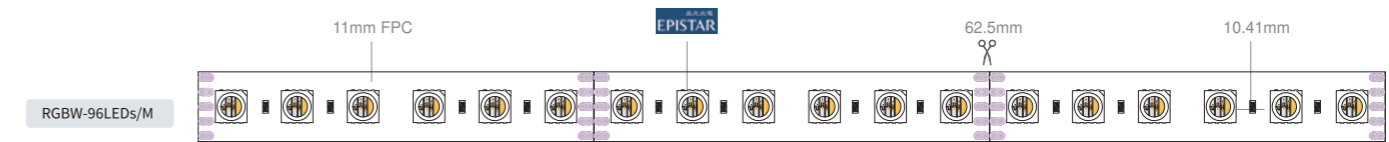
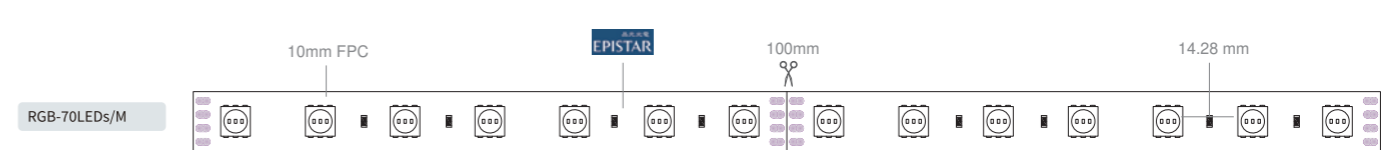
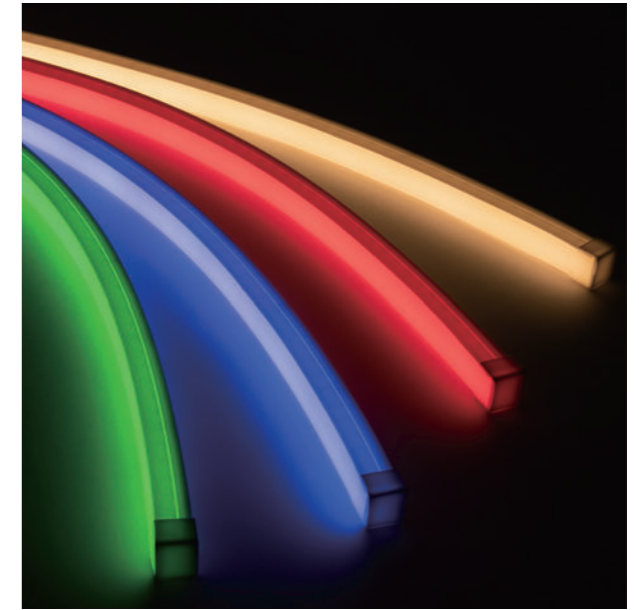
Spectrum Data

Item No.	Wattage	Lumen Efficiency	Lumen	Beam Angle	Color	CRI
RLLTNFU00C	2x8W/M	90lm/w	700lm/M	120°		80+/90+

*White+Red/Green/Blue/Yellow (Amber) /Orange optional

RHEA TOP
RGB/RGBW

- ▶ RGB & RGBW available
- ▶ SMD5050 3 in 1 for RGB, SMD5050 4 in 1 for RGBW
- ▶ Compliant with DMX RGB/ DMX RGBW control system
- ▶ Full color, addressable in segment per luminaire



Electrical Data

Electrical solution	LED Type	LEDs/Mtr	Voltage	Max Current	Max run (Single end)	Cutting unit	IP Rating	Color
Constant Voltage	SMD5050	70	24V DC	0.416A/M	10M	100mm/ 7LEDs	IP68	
Constant Voltage	SMD5050	70	24V DC	0.541A/M	10M	100mm/ 7LEDs	IP68	
Constant Voltage	SMD5050	96	24V DC	0.583A/M	10M	62.5mm/ 6LEDs	IP68	

Spectrum Data

Item No.	Wattage	Lumen efficiency	Lumen	Beam Angle	Color	CRI
RLLTNFF03C	10W/M	-	400lm/M	120°		-
RLLTNFF01C	13W/M	-	450lm/M	120°		-
NEW RLLTNFH01C	14W/M	-	760lm/M	120°		-

ACCESSORIES

RHEA TOP

Waterproof Connector

Image	Item No.	Pin /Way	Connector
	C-PL02-A C-PL03-D C-PL04-M	2 Pin 3 Pin 4 Pin	IP65 Waterproof M/F Connector -M10 20cm Cable White Waterproof M/F connectors
	DX0369 DX0368 DX0367 DX0370	2 Way 3 Way 4 Way 5 Way	IP65 Waterproof Splitter M10-05 2Pin Splitter
	DX0422 DX0423 DX0424 DX0425	2 Pin 3 Pin 4 Pin 5 Pin	IP67 Waterproof Jumper -M15 20cm Cable White Waterproof M/F connectors
	C-PL02-W C-PL03-C C-PL04-L C-PL05-C	2 Pin 3 Pin 4 Pin 5 Pin	IP67 Waterproof M/F Connector -M12 20cm Cable Black Waterproof M/F connectors
	C-PL02-P C-PL03-A C-PL04-G C-PL05-A	2 Pin 3 Pin 4 Pin 5 Pin	IP67 Waterproof M/F Connector -M15 20cm Cable White Waterproof UL M/F connectors
	C-PL02-Q C-PL03-B C-PL04-H C-PL06-A	2 Pin 3 Pin 4 Pin 6 Pin	IP67 Waterproof JST Connector 20cm Cable JST connectors
	DX0286 DX0403 DX0290 DX0329	2 Pin 3 Pin 4 Pin 5 Pin	IP68 Waterproof Connector
	DX0392 DX0420 DX0421 DX0390	2 Pin 3 Pin 4 Pin 5 Pin	IP68 T Shape Connector

Controller

Item No	Name	Dimension	Input	Current load	Image
CK0030	Dimmable LED Controller	175 X 44 X 30mm	12-24VDC	20A Max	
CK0031	CCT adjustable LED Controller	175 X 44 X 30mm	12-24VDC	20A Max	
CK0033	RGB LED Controller	175 X 44 X 30mm	12-24VDC	20A Max	
CK0034	RGB Pixel LED Controller	130 X 70 X 25mm	12-24VDC	<2.2A	

Power Supply

Item No	Dimension	IP Rating	Input	Output	Image
CY0023	215 X 115 X 30mm	IP20	90-132VAC/180-264VAC by Switch	24V/14.6A,350W	
CY0042	228 X 68 X 38.8mm	IP67	90-305VAC	24V,0-6.3A,150W	

