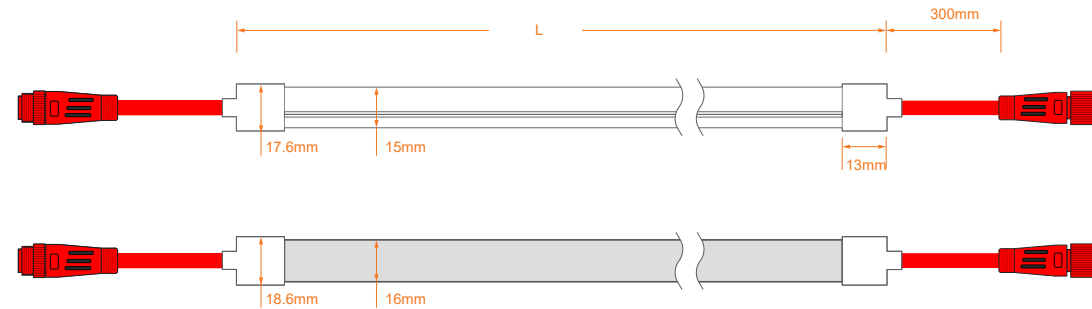
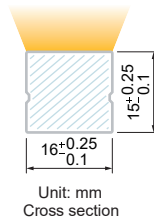




## SPI Pixel RLLNFTB1615

- IP67 protection level, salt solution resistance, weak acid and alkali corrosion and UV resistance.
- Excellent toughness, simple and stylish appearance, delicate and unique.
- 3 years warranty, working life  $\geq 30000$  hours;



Model:SK-N1615

### Cable

Cable Type	Schematic Diagram	Specification	Core	Electrical Properties
PVC Cable		OD: 5.0mm	● ● ●	SPI: Red V+, Green DI/DO, Black V-
		OD: 5.5mm	● ● ● ●	Breakpoint Transmissiort RedV+, GreenBI/BO, BlueDI/DO, BlackV-
		OD: 5.5mm	● ● ● ● ●	DMX512: RedV+, GreenPI/PO, BlueAI/AO, WhiteBI/BO, BlackV-
Silicone Cable		OD: 5.0mm	● ● ●	SPI: RedV+, GreenDI/DO, BlackV-
		OD: 6.0mm	● ● ● ●	Breakpoint Transmissiort RedV+, GreenBI/BO, BlueDI/DO, BlackV-
		OD: 6.0mm	● ● ● ● ●	DMX512: RedV+, GreenPI/PO, BlueAI/AO, WhiteBI/BO, BlackV-

### RGB(SK-N1615V24-Crgb-WS2818)

Voltage (V)	Power (W/M)	CCT/Color	Lumen (LM/M)	Efficiency (LM/W)	Pixel (PCS)	Unit length (mm)	Signal Type	IC Model
DC24V	5	R	48	9.6	8	125	Breakpoint Transmission	UCS2603/WS2818
	5	G	184	36.8				
	5	B	32	6.4				
	12	RGB	262	21.8				

### RGBW(SK-N1615V24-Crgbw-UCS2904)

Voltage (V)	Power (W/M)	CCT/Color	Lumen (LM/M)	Efficiency (LM/W)	Pixel (PCS)	Unit length (mm)	Signal Type	IC Model
DC24V	4.8	R	42	8.8	8	125	SPI	UCS2904
	4.8	G	117	24.4				
	4.8	B	36	7.5				
	4.8	W(4000K)	162	33.8				
	14.5	RGBW	342	23.6				